

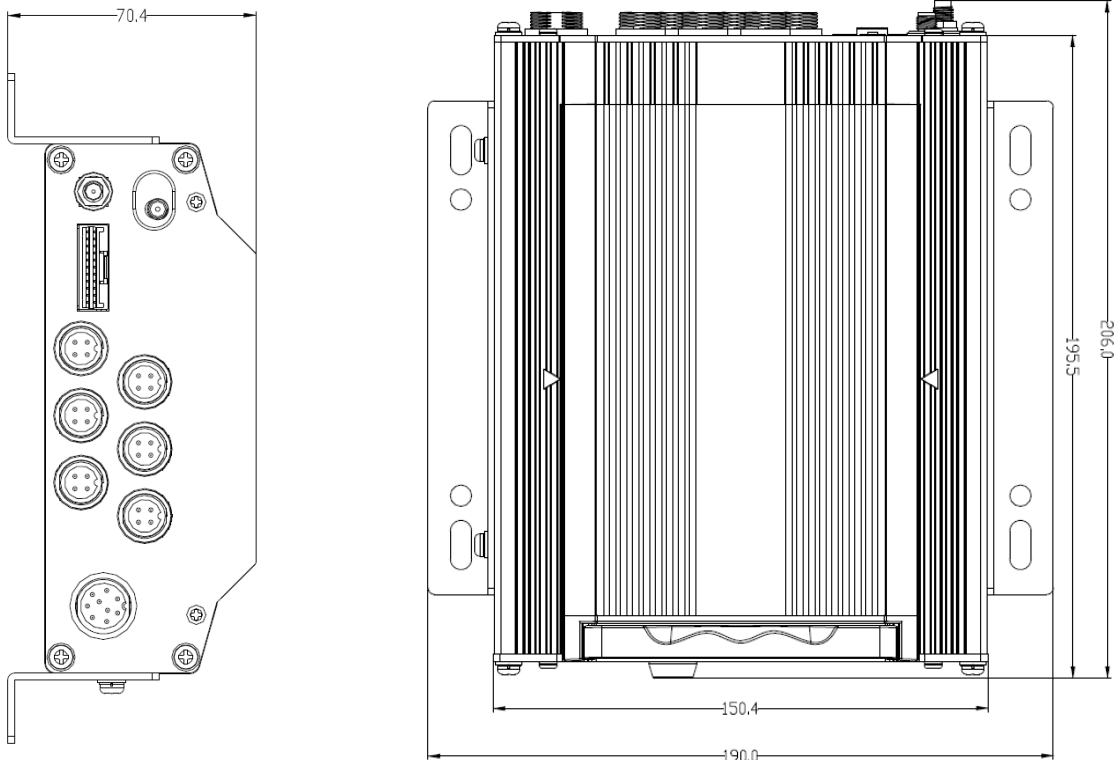
Mobile Digital Video Recorder specially designed for vehicle video surveillance and remote monitoring

Key Features

- All-metal housing
- Supports 4 channels WD1 + 1 channel 720P
- Hard Disk for main recording
- GPS for vehicle location tracking
- Supports WIFI for file download (optional)
- Built-in 3G/4G for live view and remote Management (optional)
- 360 Degree anti-vibration design
- USB 2.0 high speed backup
- Supports data recovery technology



Dimensions





AC Security Solutions Ltd

ACX1-HD - Mobile Digital Video Recorder

Specifications

Function Overview	Preview, Recording, Playback, Network, Locating
OS	Linux 3.0.8
Control Mode	Easy Check, network, mouse (3G/4G/WIFI)
Video Input	4 channels AHD+1 channel 720P
Video Output	1 channel
Total Resource	PAL: (4x25)FPS WD1+30FPS 720P (IPC) Or (4x12)FPS 720P(AHD)+30FPS 720P (IPC) NTSC: (4x30)FPS WD1 +30FPS 720P (4x15)FPS 720P(AHD)+30FPS 720P(IPC)
Video System	Electrical level: 1Vpp Impedance : 75Ω NTSC/PAL Optional
Audio Input	5channels (1 channel IPC audio input)
Audio Output	1channel
Display Split	1/4/9
OSD	GPS information, alarm, vehicle No., speed, date/time
Operation Interface	Semi-transparent GUI
Video/Audio Compression	H.264/ADPCM
Image Resolution	Analog: PAL: 720P(1280X720) WD1(928X576),WHD1(928X288),WCIF(464X288), D1(704X576),HD1(704x288),CIF(352x288); NTSC: 720P(1280X720) WD1 (928X480),WHD1(928X240),WCIF(464X240), D1(704x480),HD1(704x240),CIF (352x240); Digital: 720P(1280X720);
Image Quality	1-8 levels adjustable (1 is the best)
Recording Mode	Boot up/Manual/Schedule/Alarm
Pre-recording	0-60minutes
Post-recording	0-30 minutes
Playback Channel	1 channel by local playback
Search Mode	Date/time, channel, event
Network Ethernet	6-pin DJ(100M x 1, PON power supply)
Network 3G	3G/4G
Network WIFI	Optional, supports 802.11b/g/n/EVDO/WCDMA/TDD-LTE/FDD-LTE
GPS	Location tracking, speed detection and time sync
Storage	2.5" SATA hard disk x 1
Interface USB	USB2.0 x 1
Interface RS232/RS485	RS232 x 1
Interface Sensor	8 inputs, 2 outputs
Interface Mic	1 MIC interface
Power Input	DC8-36V, Ignition signal
Power Output	5V@1A
Power Consumption	32W
Dimension (L x W x H)	206.0mm x 190.0mm x 70.4mm
Weight	1.24Kg
Operating Temperature	-40℃- +70℃(With heater) or -10℃- +70℃
Operating Relative Humidity	8%-90% (No Condense)

ACX1-HD