

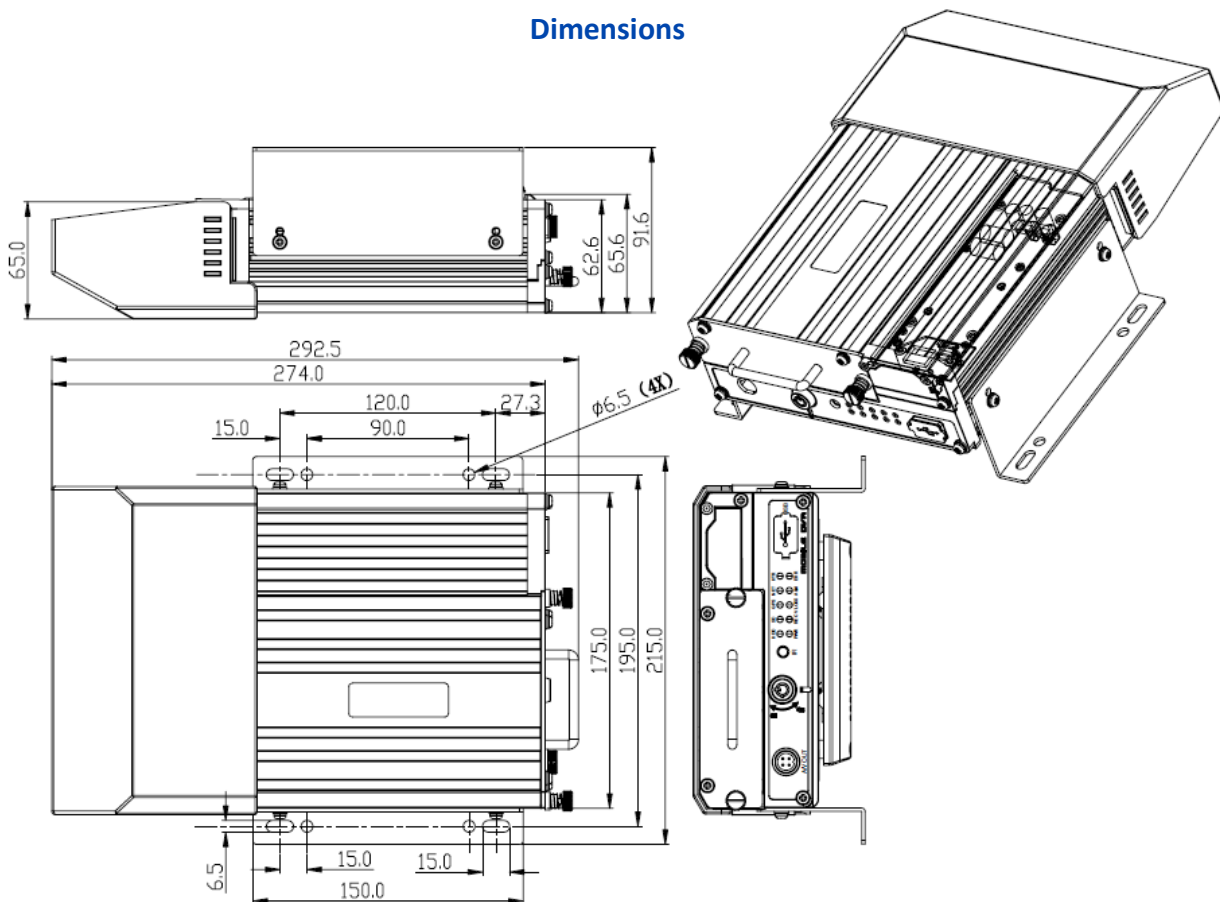
An advanced and function-extensive Mobile Video Recorder specially designed for network high definition, analog audio & video input and excellent extension

Key Features

- All-metal housing
- Supports 8 channels WD1 + 4 IP channels 720p
- Supports 2.5" 2TB hard disk storage and SD card for mirror recording
- Internal GPS for vehicle location tracking
- Supports WIFI for file download (optional)
- Built-in 3G/4G for live view and remote Management (optional)
- Built in G-sensor
- Optional built-in heater
- 360 degree anti-vibration design



Dimensions





AC Security Solutions Ltd

ACX5-HD - Mobile Digital Video Recorder

Specifications

Function Overview	Preview, Recording, Playback, Network, Locating, Mouse
OS	Linux 3.0.8
Control Mode	CP4, Easy Check, IR Remote Control, Network
Video Input	8channel WD1+4channel IPC(720P)/4channel WD1+8channel IPC (720P)
Video Output	2 channels
Total Resource	(8 x 25)FPS WD1 @ PAL / (8 x 30)FPS WD1 @ NTSC +(4 x 30)FPS 720P or (4 x 25) FPS WD1 @ PAL / (4 x 30)FPS WD1 @ NTSC +(4 x 30)FPS 720P
Video System	Electrical level: 1Vpp Impedance: 75Ω NTSC/PAL Optional
Audio Input	8channels(12 channels if connects with IPCX4)
Audio Output	2 channels
Display Split	1/4/9
OSD	GPS/BD information, alarm, temperature, acceleration, voltage, device information, software version, MCU version, network status
Operation Interface	Semi-transparent GUI
Video/Audio Compression	H.264/ADPCM
Image Resolution	Analog: PAL: WD1(928X576), WHD1(928X288), WCIF(464X288), D1(704X576), HD1 (704x288), CIF(352x288); NTSC: WD1(928X480), WHD1(928X240), WCIF(464X240), D1(704x480), HD1(704x240), CIF(352x240); Digital: 720P(1280X720);
Image Quality	8 Levels adjustable
Recording Mode	Manual/schedule/Alarm (sensor trigger, speed, acceleration, video loss, temperature)
Pre-recording	0-60 minutes
Post-recording	0-30 minutes
Mirror Recording	Support
Playback Channel	1/4 channels by local playback
Search Mode	Date/time, channel, event
Network Ethernet	RJ45(1000M) x 1
GPS	Location tracking, speed detection and time sync
Storage	Supports 2.5" hard disk up to 2TB, SD x 1
Interface USB	USB2.0 x 2
Interface RS232/RS485	RS232 X 2, RS485 X 2
Interface Sensor	8 inputs, 2 outputs
Interface Panel	Interface(CP4)(Optional)
Power Input	DC8-36V
Power Output	1A@12V,1A@5V
Dimension (L x W x H)	292.5x215x91.6mm (including shelf and back cover)
Weight	2.6 kg
Modular Design	Support
Operating Temperature	-40~ +70~(With heater) or -10~ +70~
Operating Relative Humidity	8%~90%

ACX5-HD