

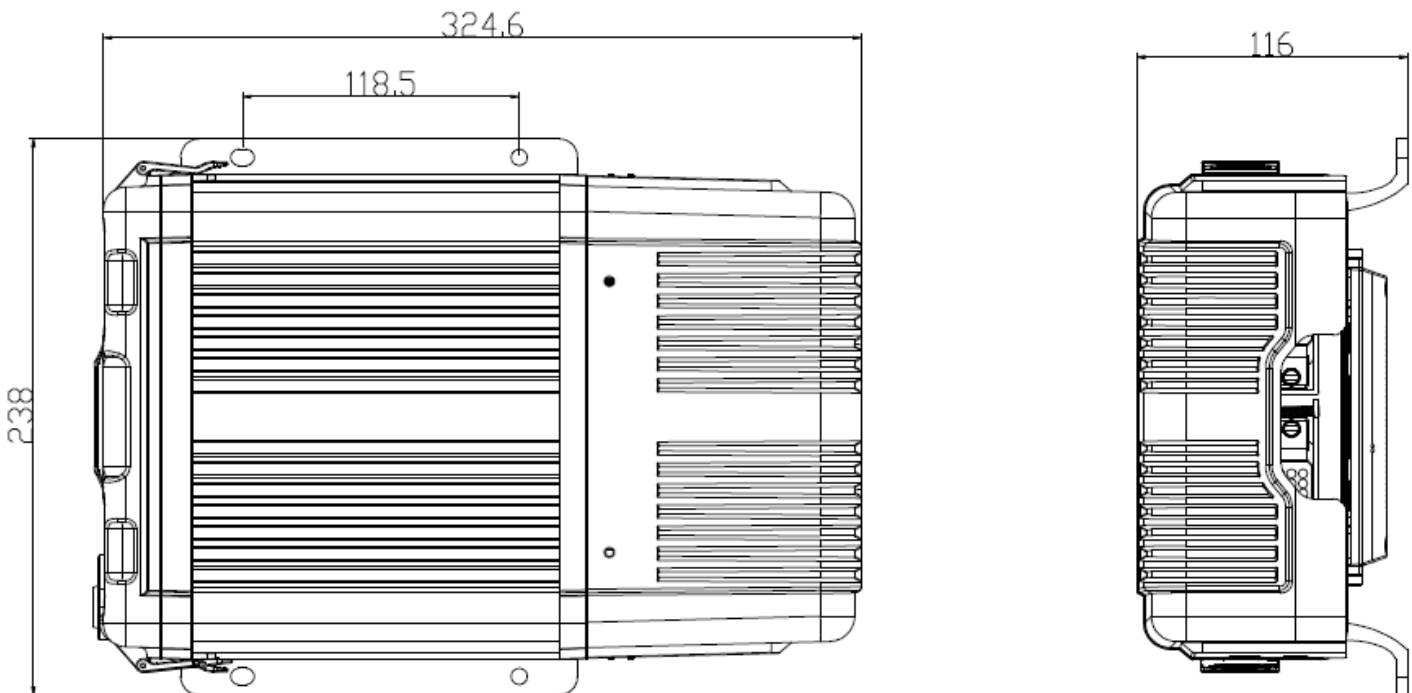
**A function-extensive device specially designed for mobile video surveillance and intelligent dispatch**

### Key Features

- All-metal housing
- Modular design for easy maintenance
- Supports 16 channels WD1 + 8 IP channels 720p
- Supports up to two 2TB hard disks storage and SD card for mirror recording
- Dual streams for local recording and wireless transmission
- Internal GPS for vehicle location tracking
- Supports WIFI for file download (optional)
- Built-in 3G/4G for live view and remote Monitoring (optional)



### Dimensions





# AC Security Solutions Ltd

## ACX7-HD - Mobile Digital Video Recorder

### Specifications

Function Overview	Preview, Recording, Playback, Network, Locating
OS	Linux 3.0.8
Control Mode	CP4, Easy Check, IR Remote Control, Network, Mouse
Video Input	16 channels WD1+8channels IPC (720P)
Video Output	3 channels
Total Resource	(16 x 25)FPS WD1 @ PAL/(16 x 30)FPS WD1@NTSC +(8 x 30)FPS 720P
Video System	Electrical level:1Vpp Impedance:75Ω NTSC/PAL Optional
Audio Input	24 channels(8 channels IPC)
Audio Output	3 channels
Display Split	1/4/9 Image display
OSD	Locating, alarm, vehicle number, speed and date/time
Operation Interface	Graphical User Interface
Video/Audio Compression	H.264/ADPCM
Image Resolution	Analog: PAL:WD1(928X576), WHD1(928X288), WCIF(464X288), D1(704X576), HD1 (704x288), CIF(352x288); NTSC:WD1(928X480), WHD1(928X240), WCIF(464X240), D1 (704x480), HD1(704x240), CIF(352x240); Digital: 720P(1280X720)
Image Quality	8 levels adjustable
Recording Mode	Boots up/manual/schedule/Alarm event recording (sensor trigger, speed, external acceleration sensor, alarm button)
Pre-recording	0-60 minutes
Post-recording	0-30 minutes
Mirror Recording	Yes
Playback Channel	1/4 channels by local playback
Search Mode	Date/time, channel, event
Network Ethernet	RJ45(1000M)x2
Network 3G	Supports 3G/4G, EVDO/WCDMA/TDD-LTE/FDD-LTE
Network WIFI	Supports (802.11b/g/n)
GPS	Location tracking, speed detection and time sync
Storage	2.5" SATA hard disk x 2, SD x 1
Interface USB	USB 2.0 x 2 (1 at front panel, 1 at rear panel)
Interface RS232/RS485	RS232 x 2/RS485 x 2
Interface Sensor	8 inputs, 2 outputs
Interface Panel	Control panel (CP4)(Optional)
Power Input	DC8-36V
Power Output	12V@1A, 5V@1A
Power Consumption	Impulse current: input 13.5V@10A Working current: input 13.5V@5A input 27V@2.5A Standby current: 0A
Dimension (L x W x H)	324.6x238x116mm
Weight	4.2Kg
Modular Design	Yes
Operating Temperature	-10℃ ~ +70℃ or -40℃ ~ +70℃(heated)
Operating Relative Humidity	8%~90%

### ACX7-HD